

## Multilayer Chip Suppressions / Ferrite Chip Beads ~ MB0603 Series

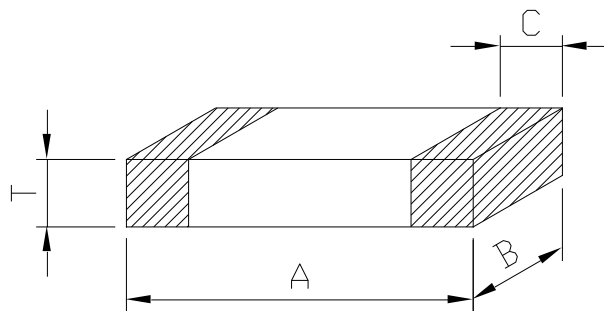


### PART NUMBERING SYSTEM

<b>MB</b>	<b>0603</b>	—	<b>600</b>	—	<b>LF</b>
TYPE	DIMENSIONS		IMPEDANCE		LEAD FREE

### SHAPES AND DIMENSIONS

UNIT : mm



**A=0.6±0.03 B=0.3±0.03 C=0.1~0.2 T=0.3±0.03**

### SPECIFICATION TABLE

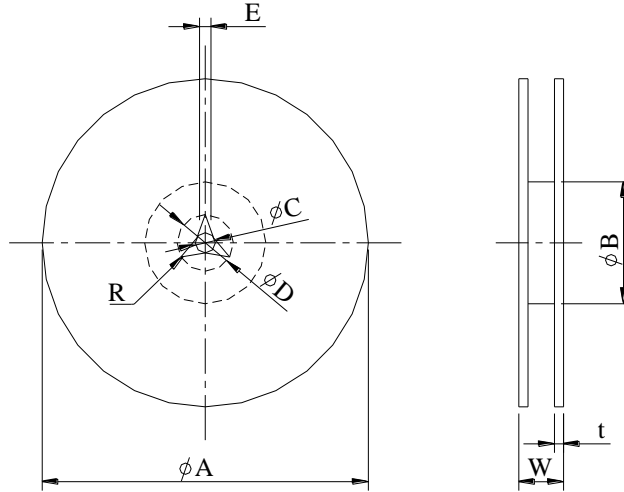
PART NUMBER	IMPEDANCE (Ω) at 100MHz	DCR (Ω) (max)	IDC (mA) (max)
MB0603-100-LF	10±25%	0.10	500
MB0603-800-LF	80±25%	0.40	200
MB0603-121-LF	120±25%	0.50	250
MB0603-241-LF	240±25%	0.80	200
MB0603-471-LF	470±25%	1.30	200
MB0603-601-LF	600±25%	1.20	100
MB0603H-601-LF	600±25%	1.10	200
MB0603-102-LF	1000±25%	1.25	220

- Test equipment : E-4991A impedance analyzer or equipment .
- Operating temperature range -55°C to +125°C , Electrical specifications at 25°C .
- Automotive grade available

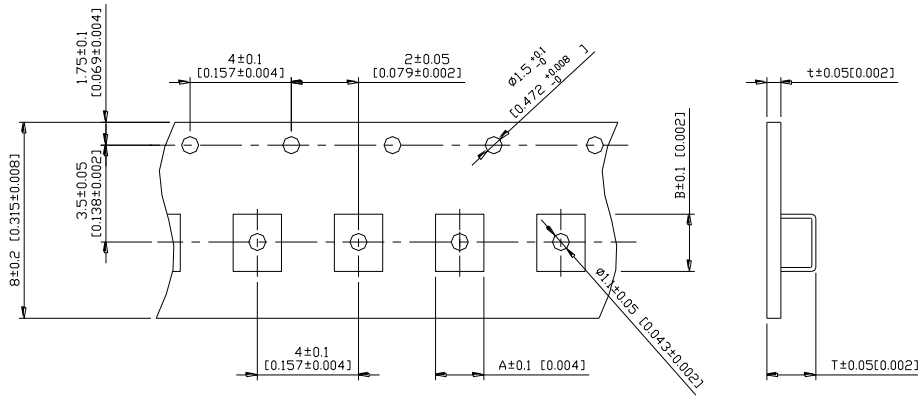


## Multilayer ChipSuppressions / Ferrite Chip Beads ~ MB0603 Series

### PACKAGING SPECIFICATION



	A	B	C	D	E	W8	W12	t	R
T(ψ178mm) Reel	ψ178±2	ψ60±1	ψ13±0.8	ψ21±0.8	2	10±1.5	14.5±1.5	1.27±0.2	1



TYPE	A	B	T	t	T(φ 178mm)	T(φ 330mm)
MB0603	0.65	1.15	0.80	0.2	15000 pcs/reel	—